

Y6 SATS

Greater than

Help Code : 021

or Less than Signs

BOOSTER

RECOMMENDED! - mental maths TES resource
Interactive + Self-Marking [CLICK HERE](#)

2005A KS2 Q12



Write the correct sign =, > or < in each circle.



9×3



8×4

$9 - 3$



$8 - 4$

$9 + 3$



$8 + 4$

$9 \div 3$



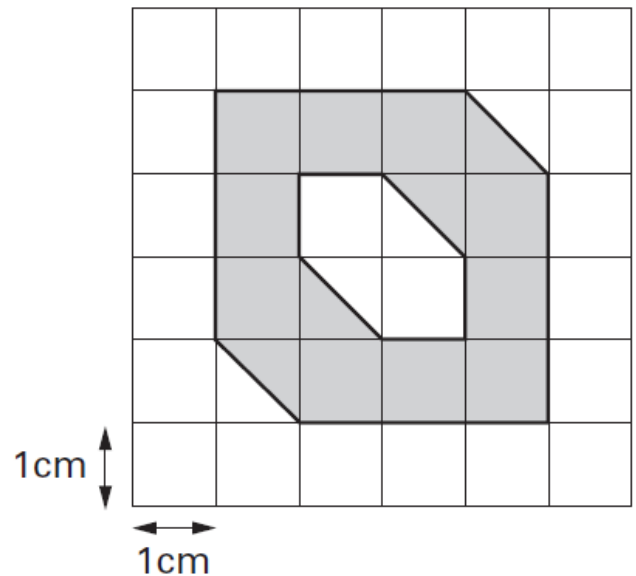
$8 \div 4$

2011A KS2 Q11



Here is a 1cm square grid.

Some of the grid is shaded.



What is the area that is shaded?



cm²

